

Grasper Repair Kit

Attaching braces and horizontals is made quick and easy with graspers. They attach solidly with a push, are assembled in seconds, and can be released with a quick flick after retracting the spring-loaded stainless steel locking-pin. However, moveable parts are known to become worn and damaged.



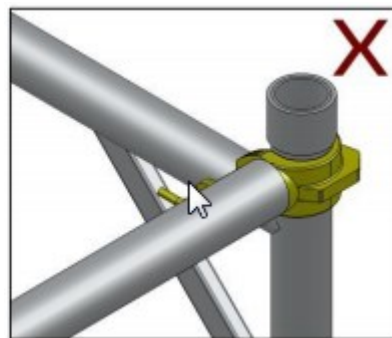
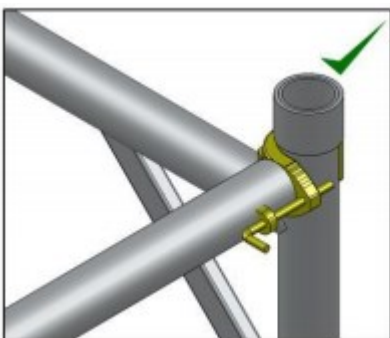
Grasper Repair Kit

only \$5.50 (inc GST)

If you find the spring loaded, quick release mechanism becomes damaged or worn, this can easily be fixed with Access Scaffolding's Grasper Repair Kit.

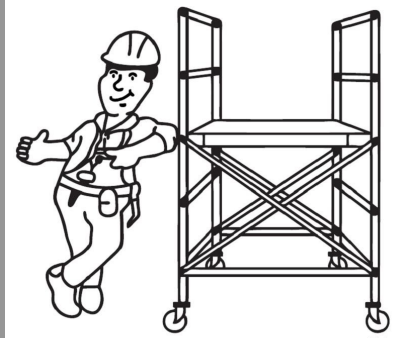
Handy hints to ensure long life of your graspers

Make sure the horizontal braces are always clipped to the INSIDE of the standards. Misuse by dropping from height or throwing onto the back of vehicles for example can damage the ends of graspers. Fittings should be regularly inspected and any damaged fitting should be replaced.



1. Check graspers are tight in the tube. Replace rivets if loose.
2. Check grasper pin action is free. Replace any bent items.
3. Brace grasper pins and springs should also be given a few drops of light oil, particularly if stored in the weather.
4. If grasper or platform hooks become closed or extended in any way for any reason it should be discarded.

ACCESS SCAFFOLDING



...here to help™

enquiries@
accessscaffolds.com.au
accessscaffolding.com.au

1300 133 922

SPRINGVALE

David Logan

(03) 9547 6682

1 Hillside Street

Springvale VIC 3171

GEELONG

Craig Cumming

(03) 03 5248 8087

48 Denbigh Street

Moolap VIC 3224

SOUTH AUSTRALIA

Aaron Munroe

(08) 8377 1103

5/55 Norfolk Street

Marion SA 5043